

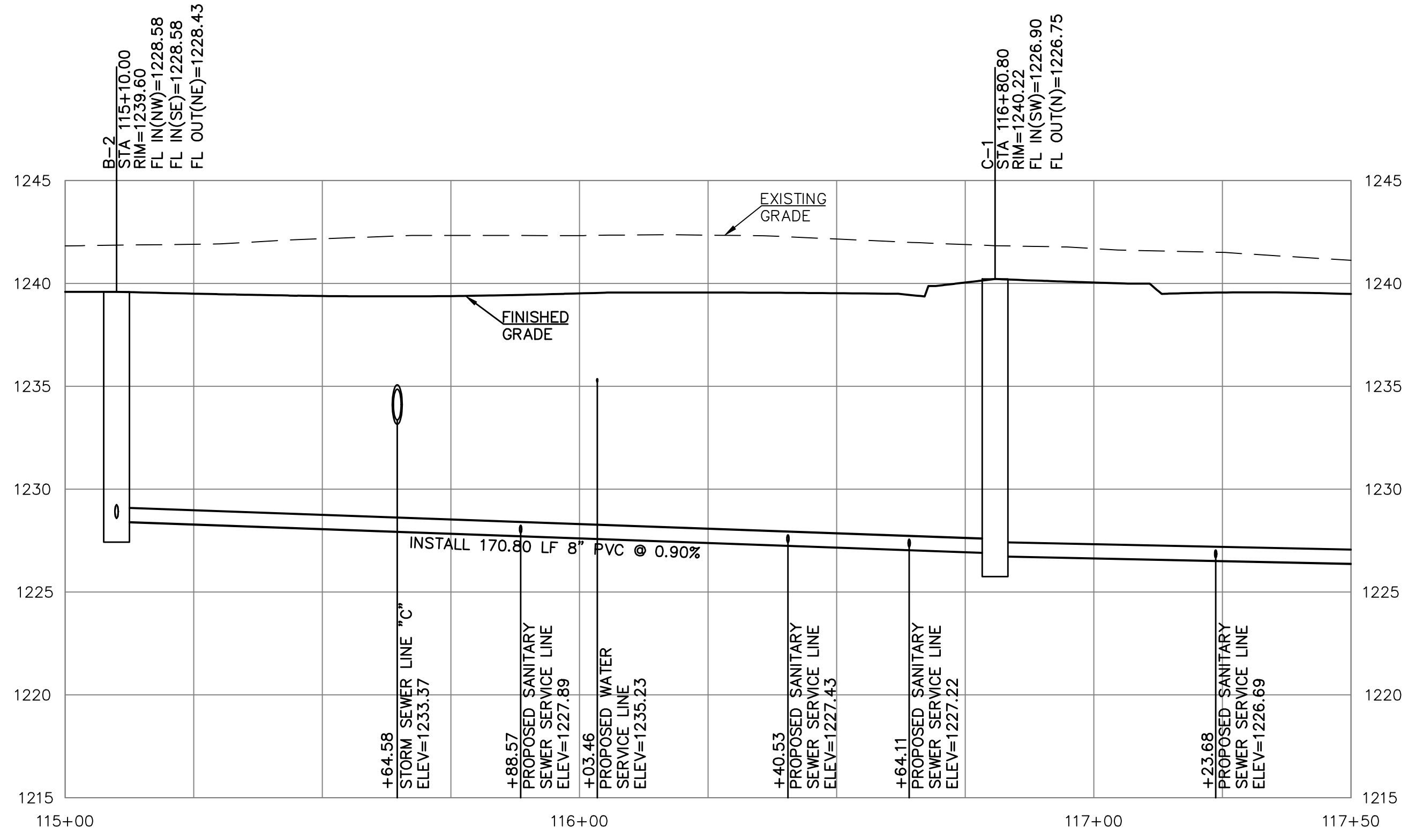
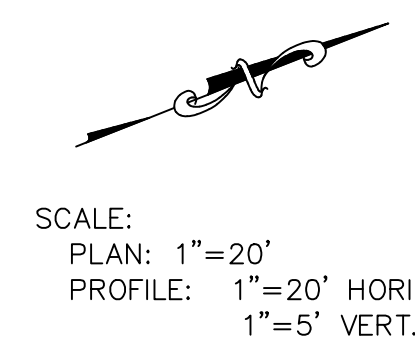
B-2, STA 115+10.00
CL STREET STA 35+98.63, 0.00' (WET STONE DRIVE)
CL STREET STA 47+53.86, 13.54' LT (WET STONE PORT)
CL STREET STA 50+10.00, 0.00' (WET STONE COVE)
INSTALL 4" SANITARY SEWER MANHOLE
SEE DETAIL SHEET 31
N 9317.27, E 9536.06

STA 115+88.57
CL STREET STA 36+77.69, 2.21' LT
INSTALL 48.93 LF 4" SANITARY SEWER
SERVICE LINE WITH TEE
SEE DETAIL SHEET 32

STA 116+40.53
CL STREET STA 37+28.34, 7.55' RT
INSTALL 47.55 LF 4" SANITARY SEWER
SERVICE LINE WITH TEE
SEE DETAIL SHEET 32

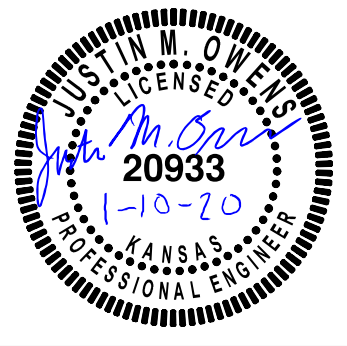
STA 116+64.11
CL STREET STA 37+50.00, 14.72' RT
INSTALL 33.52 LF 4" SANITARY SEWER
SERVICE LINE WITH TEE
SEE DETAIL SHEET 32

C-1, STA 116+80.80
CL STREET STA 37+64.70, 20.75' RT
INSTALL 4" SANITARY SEWER MANHOLE
SEE DETAIL SHEET 31
N 9455.59, E 9636.26



- A SEPARATION OF WATER MAINS AND SANITARY SEWERS:**
1. A MINIMUM HORIZONTAL DISTANCE OF 10 FEET SHALL BE MAINTAINED BETWEEN WATER (MAINS AND SERVICE) AND SANITARY SEWER (MAINS AND SERVICE) LINES. AT POINT WHERE SEWERS CROSS WATER MAINS, THE SEWER SHALL BE CONSTRUCTED OF CAST IRON, PLASTIC PIPE WITH NON-JOINTED PLASTIC PIPE, OR PIPE ENCASED IN CONCRETE FOR A DISTANCE OF 10 FEET EACH SIDE OF THE CROSSING AS MEASURED FROM THE OUTSIDE DIAMETER OF THE SEWER LINE (EDGE-TO-EDGE), NOT ITS CENTERLINE, UNLESS THE WATER MAIN IS AT LEAST 2 FEET ABOVE THE SEWER.
 2. WHERE A WATER MAIN MUST CROSS A SEWER LINE, MAINTAIN 2 FEET VERTICAL SEPARATION WITH THE WATER MAIN ABOVE THE SEWER.
 3. BUILDERS TO MAINTAIN MINIMUM 10' SEPARATION FROM THE OUTSIDE EDGE OF SANITARY SEWER MANHOLES TO THE OUTSIDE EDGE OF WATER SERVICE LINES WHEN RUNNING SERVICE LINES TO HOUSE.
 4. ALL SANITARY SEWER SERVICE LINE WILL BE AT A MIN 2% GRADE.
 5. ALL NORTHING AND EASTING WAS TAKEN FROM CENTER OF STRUCTURE. REFERENCE DETAIL FOR ACTUAL LID LOCATION.

REV	DATE	DESCRIPTION
3	01/10/20	REVISED PER KDHE COMMENTS
2	10/28/19	REVISED PER KDHE COMMENTS
1	10/17/19	REVISED
0	10/04/19	INITIAL ISSUE



JUSTIN M. OWENS
ENGINEER
KS # 20933

742 DUVAL AVENUE
SALINA, KANSAS 67401
PH. (785) 820-1200
www.kawvalleyeng.com



KAW VALLEY ENGINEERING, INC. IS AUTHORIZED TO OFFER ENGINEERING SERVICES BY KANSAS STATE CERTIFICATE OF AUTHORIZATION # E-113. EXPIRES 12/31/20

STONE LAKE ADDITION - PHASE 3A
CRYSTAL LAKE DRIVE & WET STONE DRIVE
SALINA, KANSAS 67401

OFFICE CHECK
SANITARY SEWER LINE 'C' - PLAN & PROFILE

PROJ. NO.	E19D2272
DESIGNER	JMO
DRAWN BY	TDA
CFN	2272SPP
SHEET	27
REV	3