

447

# NINTH STREET BYPASS

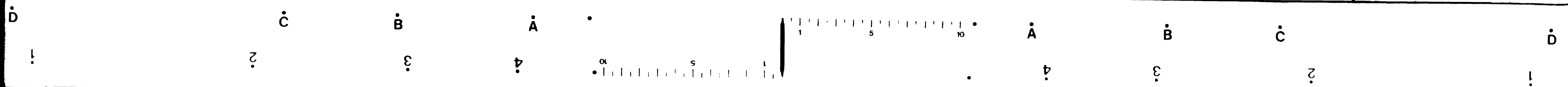
SANITARY SEWER REPAIR

PROJECT NO.

77-630

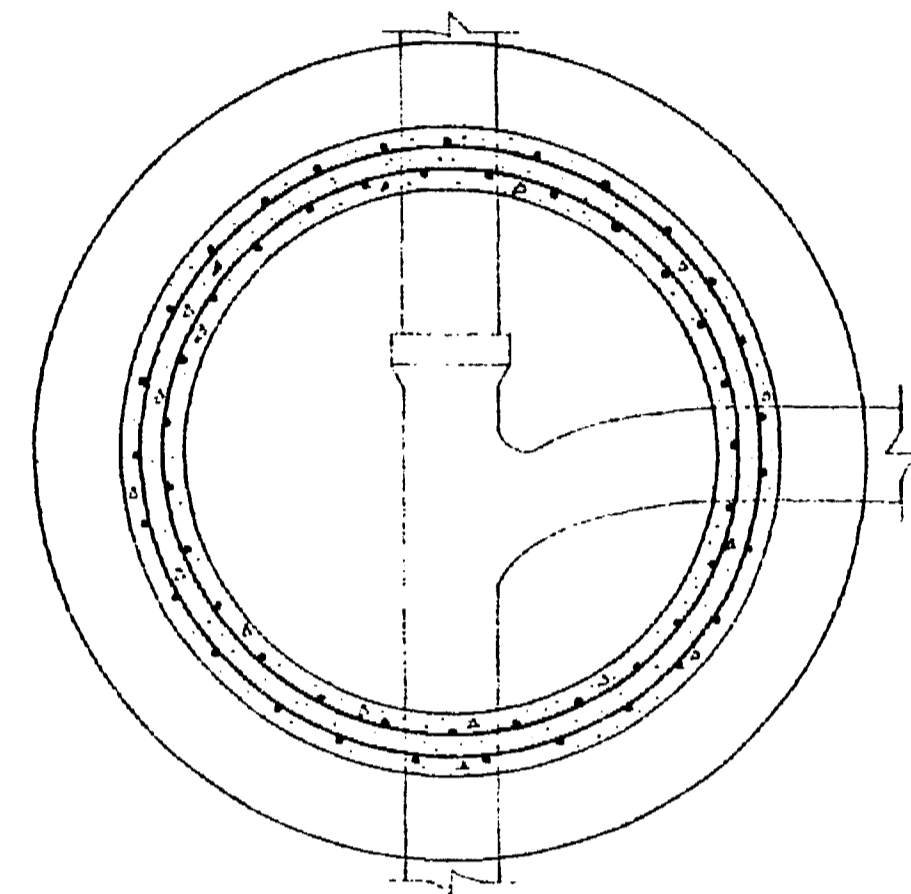
INDEX OF SHEETS  
1. TITLE SHEET  
2. PLAN & PROFILE (SAN. SEWER)  
3-4. STANDARD SHEETS (SAN. SEWER)

TITLE SHEET  
CITY OF SALINA  
Engineering Department  
300 W. ASH SALINA, KANSAS  
Date: NOV. 77 Project No 77-630 Sh. 1 of 4

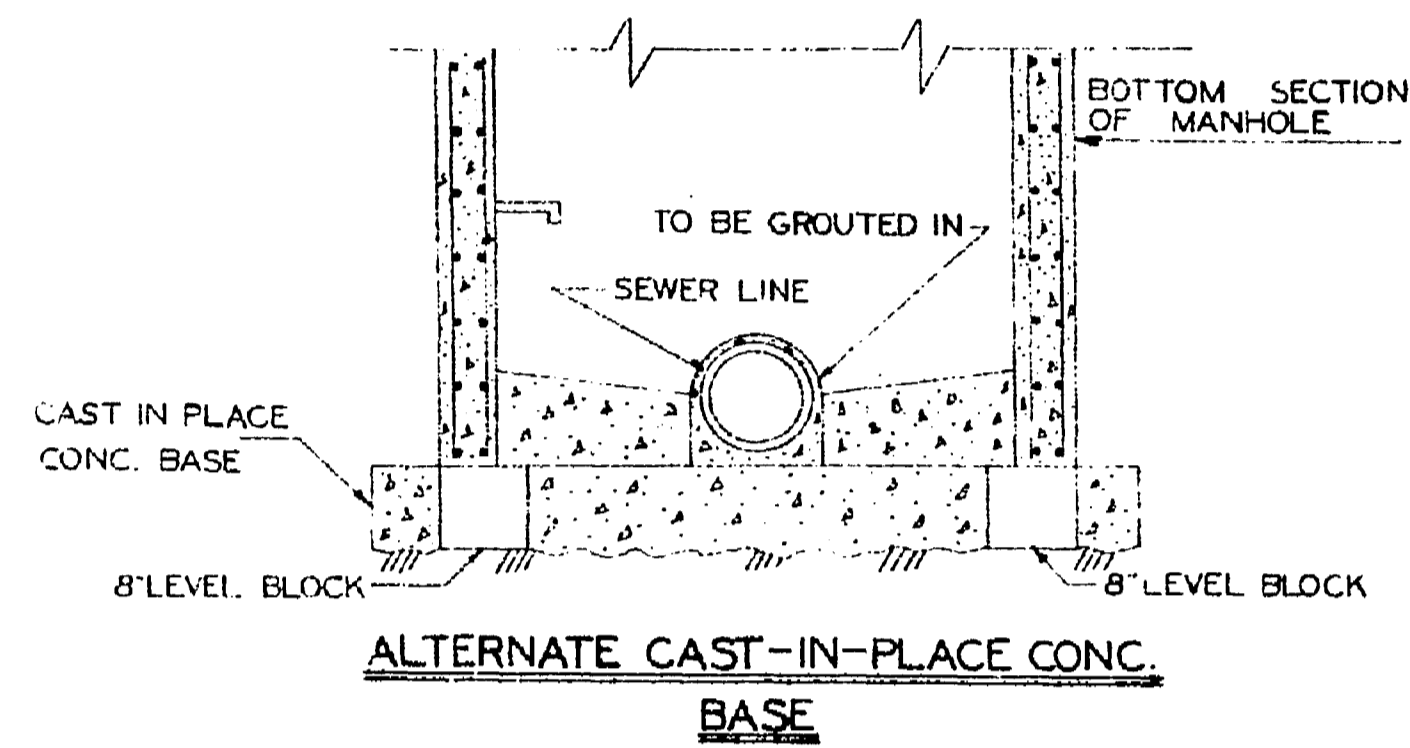




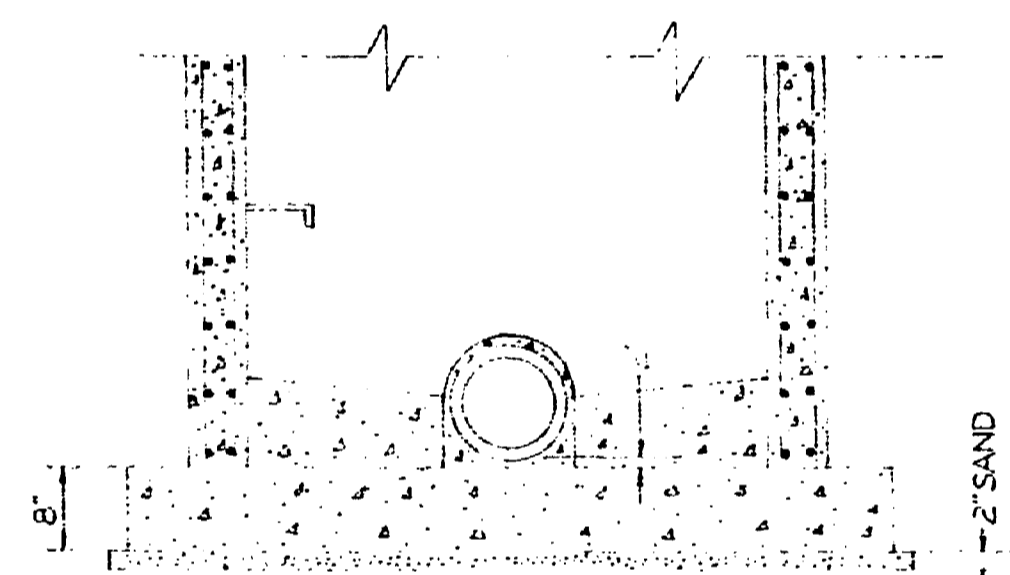




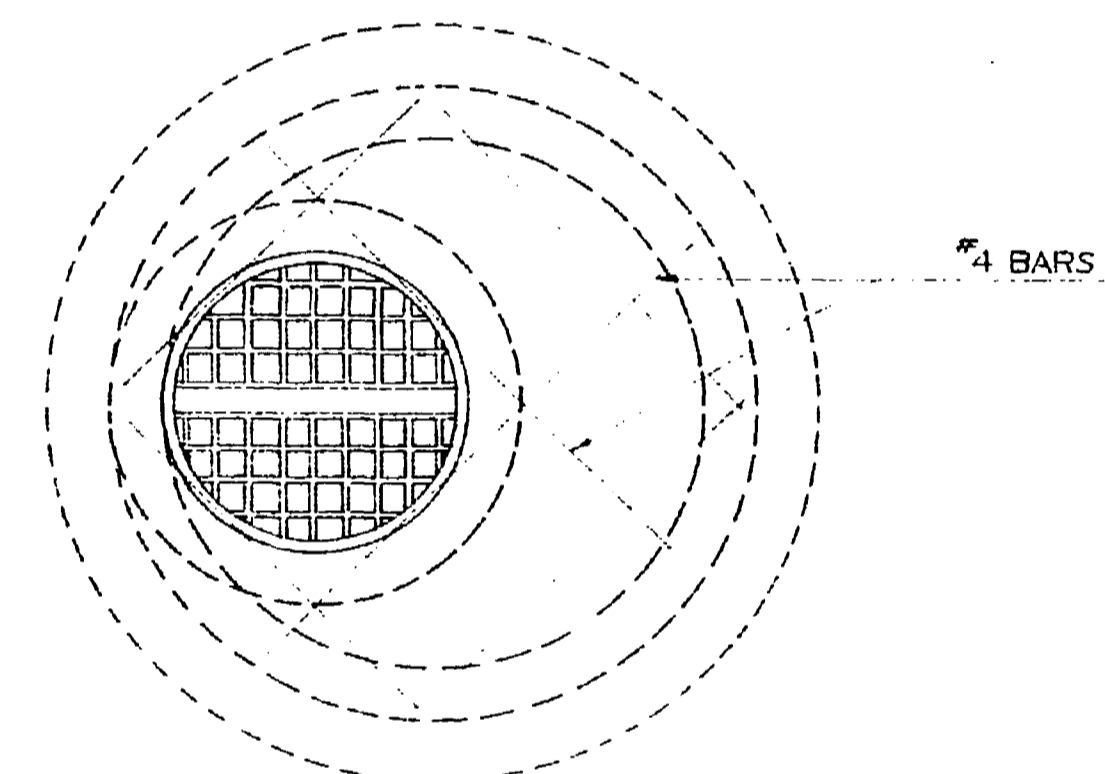
SECTION A-A



ALTERNATE CAST-IN-PLACE CONC. BASE



DETAIL OF PRECAST BASE

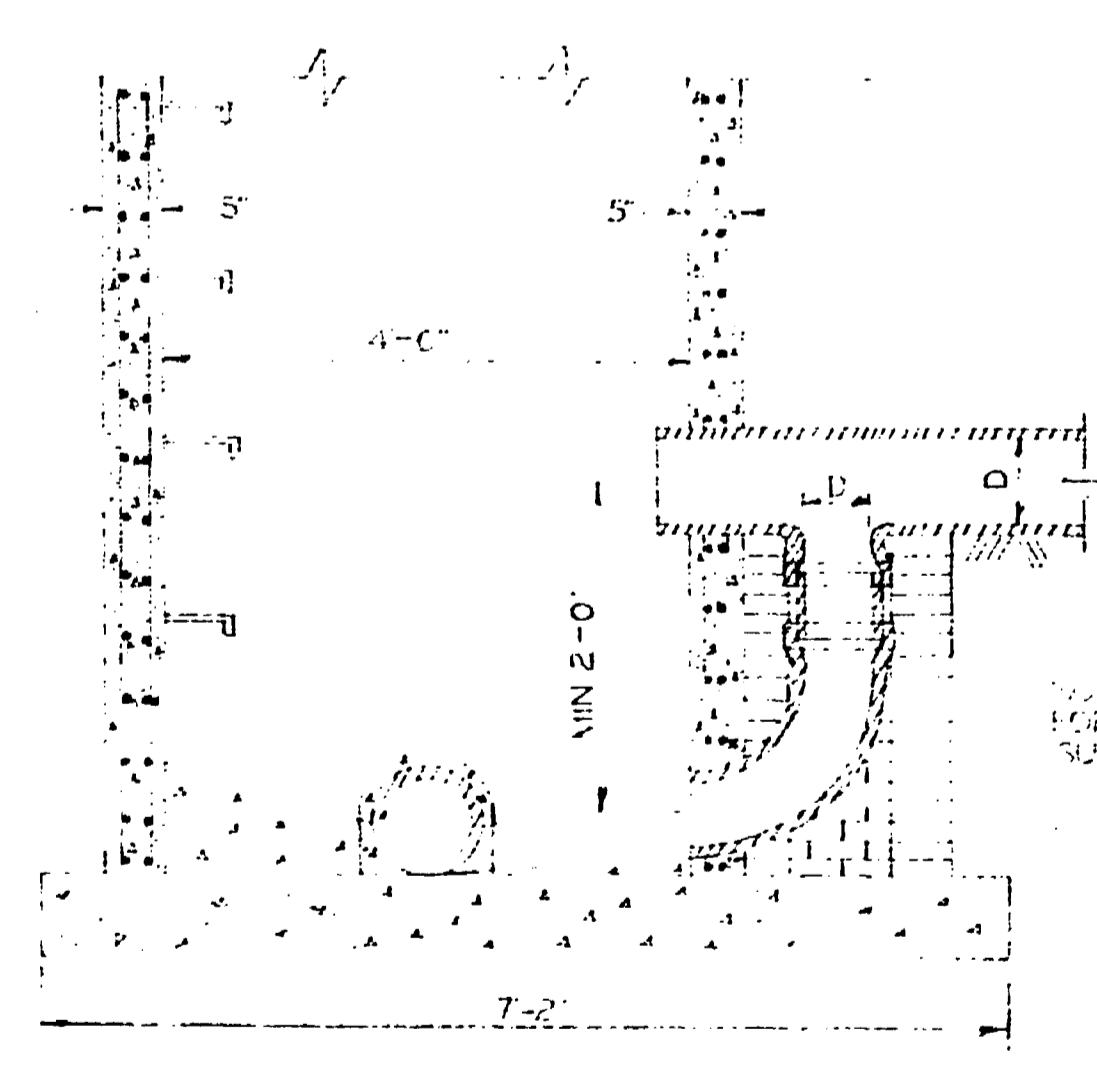


PLAN

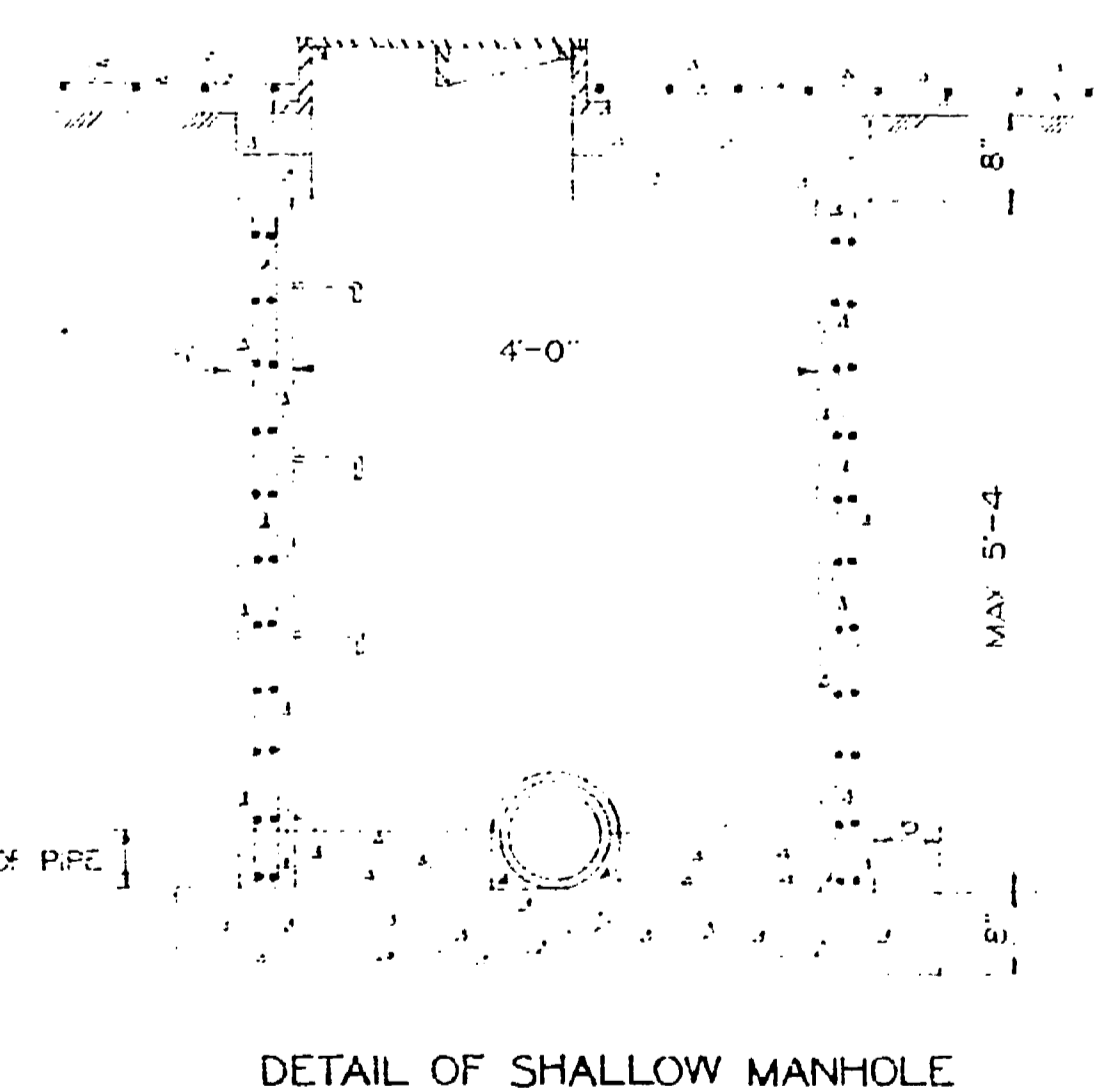
**GENERAL NOTE**  
 PRECAST MANHOLES SHALL BE CONCRETE WITH A MINIMUM WALL THICKNESS OF 4 INCHES. THE MANHOLE SHALL BE 16 INCHES DIAMETER. THE MANHOLE SHALL BE 3 INCHES DEEP. THE MANHOLE SHALL BE 16 INCHES DEEP. THE MANHOLE SHALL BE 16 INCHES DEEP.



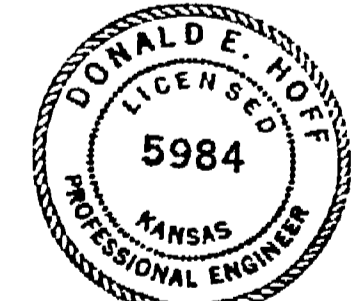
DETAIL OF STANDARD MANHOLE TYPE "A"



DETAIL OF DROP MANHOLE



DETAIL OF SHALLOW MANHOLE



SANITARY	SEWER
Standard	Details
CITY OF	SALINA
Engineering	Department
300 W. ASH	SALINA, KANSAS
Date NOV. 77	Project No. 77-630
	Sheet 4 of 4

