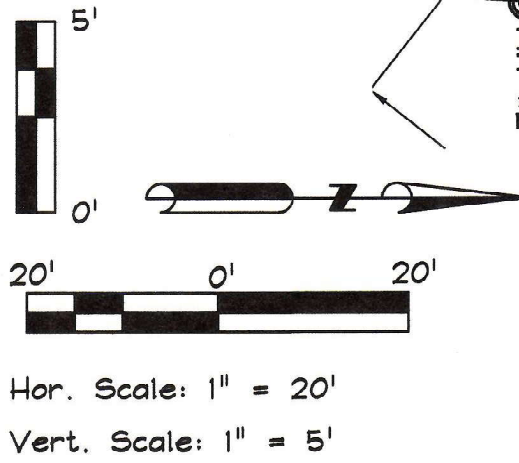


Yeager Sta. 13+70.67 25.0' Rt.
 Construct Sanitary Sewer Manhole #23
 Continue 8" PVC Lateral Line North
 for 225.00 L.F. @ 0.40% grade.
 Top=1243.00
 FL In (N)=1227.71
 FL Out (S)=1227.69
 FL Centerline=1227.70
 N=166,364.25 E=1,419,392.66

Construct Sanitary Sewer Manhole
 Continue 10" PVC Main Line S
 for 118.07 L.F. @ 0.50% grade.
 8" PVC Lateral Line North for
 377.88 L.F. @ 0.40% grade (Y
 Top=1243.50
 FL In (N)=1226.20
 FL In (W)=1225.59
 FL Out (SE)=1225.57
 FL Centerline=1225.58
 N=165,986.38 E=1,419,394.94



YEAGER - SEWER

