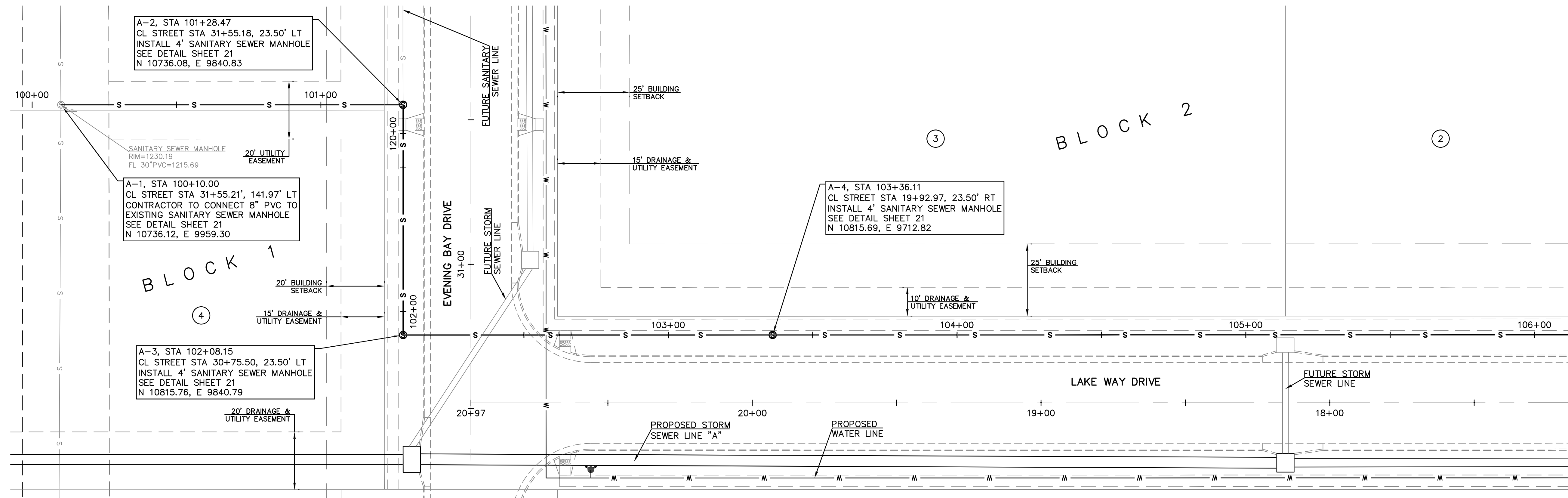
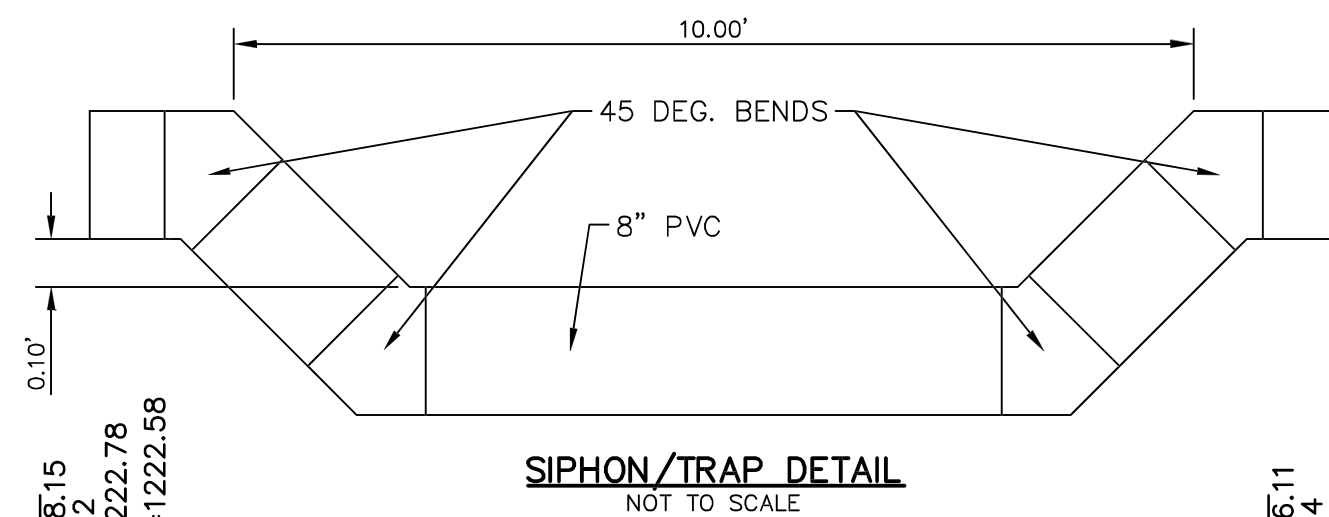


SCALE:
 PLAN: 1"=20'
 PROFILE: 1"=20' HORIZ.
 1"=5' VERT.

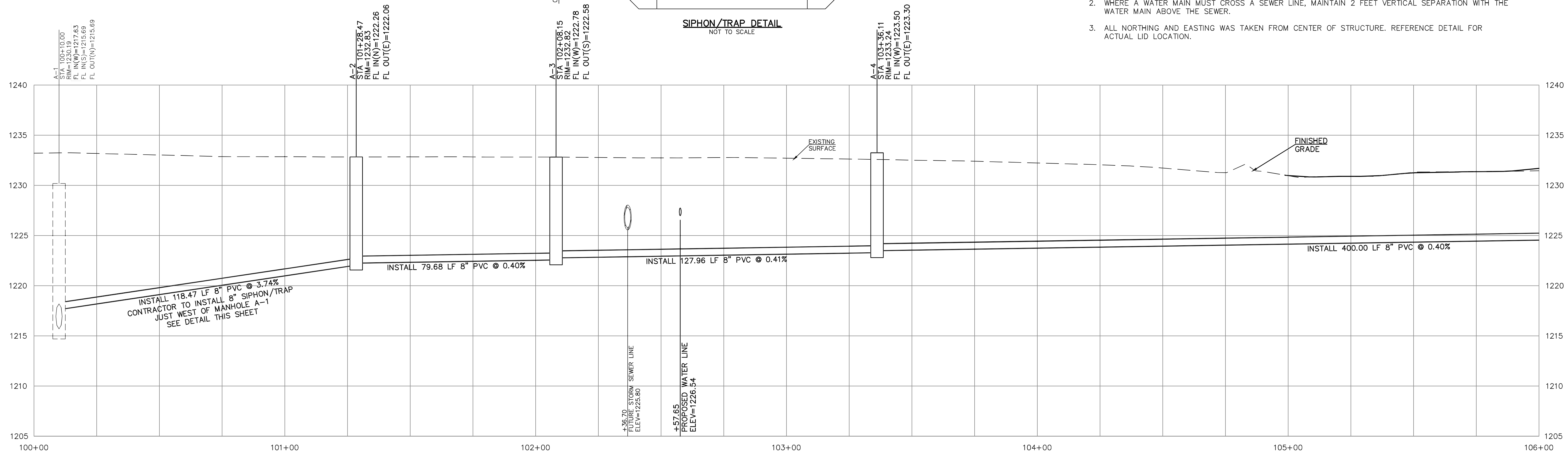


NOTE:
 1. CONTRACTOR SHALL USE APPROVED A-LOCK SEAL AROUND PIPE WHEN CONNECTING TO MANHOLE A-1. CONTRACTOR SHALL REPAIR THE DAMAGED AREA OF THE INTERIOR OF THE MANHOLE WITH A MATERIAL APPROVED BY THE CITY OF SALINA. NOTIFY CITY SANITARY SEWER STAFF WHEN PERFORMING REPAIR. CITY STAFF NEEDS TO BE PRESENT DURING THE CORING OF THE MANHOLE AND REPLACEMENT OF THE EXISTING LINER. CONTRACTOR SHALL FOLLOW ALL OF THE CITY'S CONFINED SPACE REGULATIONS



SEPARATION OF WATER MAINS AND SANITARY SEWERS:

1. A MINIMUM HORIZONTAL DISTANCE OF 10 FEET SHALL BE MAINTAINED BETWEEN WATER (MAINS AND SERVICE) AND SANITARY SEWER (MAINS AND SERVICE) LINES. AT POINT WHERE SEWERS CROSS WATER MAINS, THE SEWER SHALL BE CONSTRUCTED OF CAST IRON, PLASTIC PIPE WITH NON-JOINTED PLASTIC PIPE, OR PIPE ENCASED IN CONCRETE FOR A DISTANCE OF 10 FEET EACH SIDE OF THE CROSSING AS MEASURED FROM THE OUTSIDE DIAMETER OF THE SEWER LINE (EDGE-TO-EDGE), NOT ITS CENTERLINE, UNLESS THE WATER MAIN IS AT LEAST 2 FEET ABOVE THE SEWER.
2. WHERE A WATER MAIN MUST CROSS A SEWER LINE, MAINTAIN 2 FEET VERTICAL SEPARATION WITH THE WATER MAIN ABOVE THE SEWER.
3. ALL NORTHING AND EASTING WAS TAKEN FROM CENTER OF STRUCTURE. REFERENCE DETAIL FOR ACTUAL LID LOCATION.



JMO	JMO	JMO	JMO
TDA	TDA	TDA	TDA
DSN	DSN	DSN	DSN
REV	DATE	DESCRIPTION	
0	12/13/21	INITIAL ISSUE	



JUSTIN M. OWENS
 ENGINEER
 KS # 20933

742 DUVAL AVENUE
 SALINA, KANSAS 67401
 PH. (785) 820-1100
 www.kawvalley.com

KAW VALLEY ENGINEERING

KAW VALLEY ENGINEERING, INC. IS AUTHORIZED TO OFFER ENGINEERING SERVICES BY KANSAS STATE CERTIFICATE OF AUTHORIZATION # E-113. EXPIRES 12/31/22

LAKEVIEW ESTATES ADDITION NO. 2
 SOUTH OHIO STREET
 SALINA, KANSAS 67401

PHASE 1
SANITARY SEWER LINE 'A' - PLAN & PROFILE

PROJ. NO.	E21D2913
DESIGNER	JMO
DRAWN BY	TDA
CFN	2913SPP
SHEET	19
REV	0