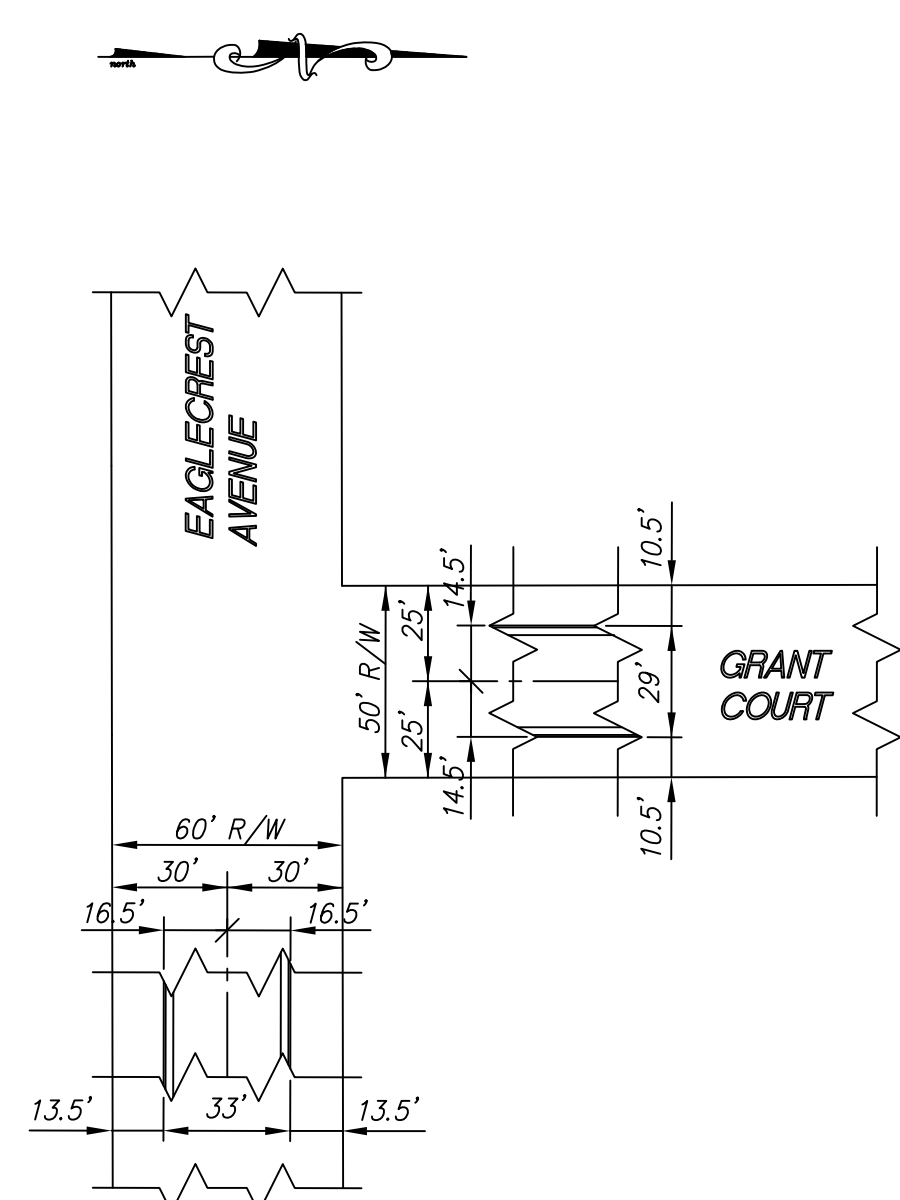
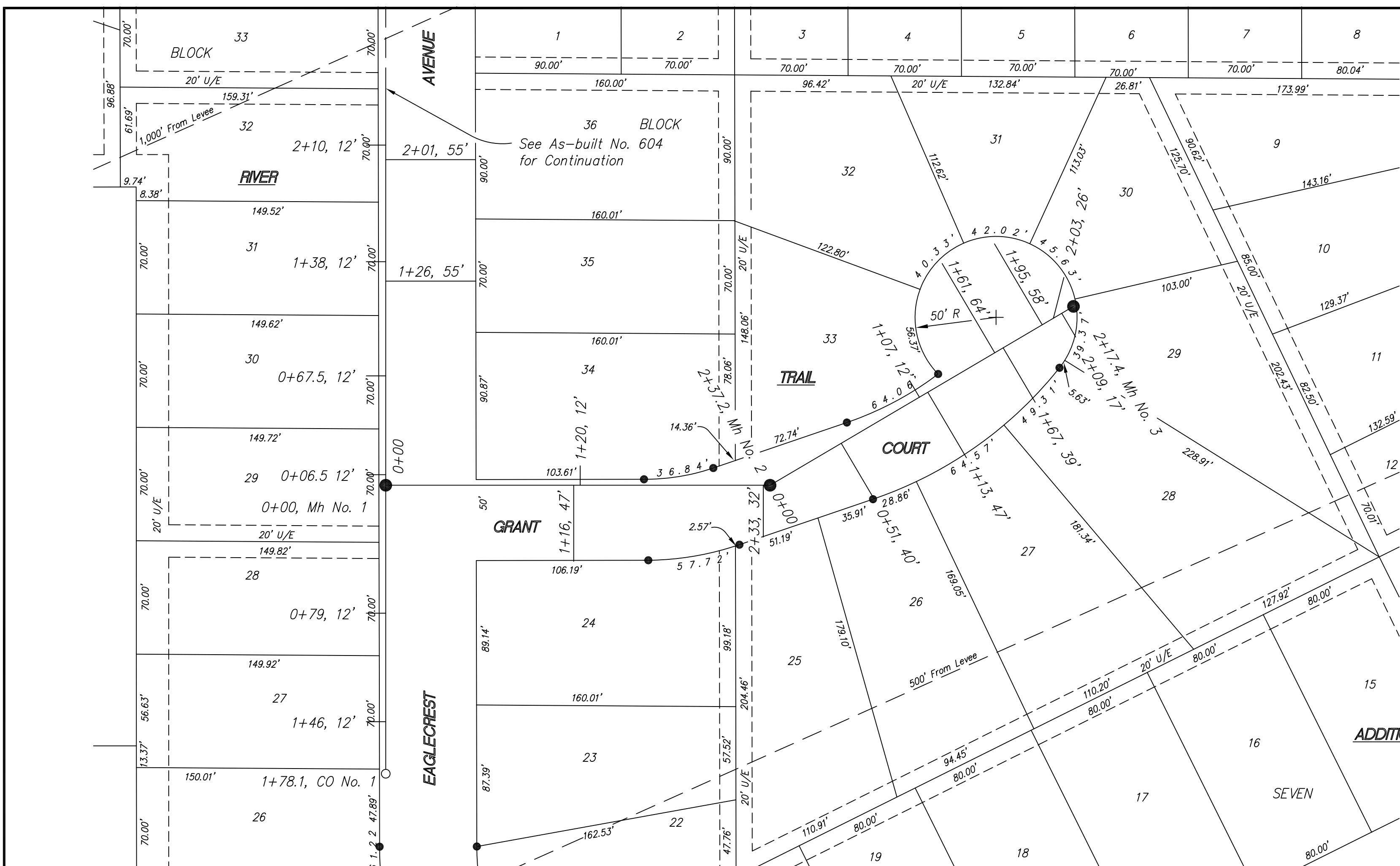


621

River Trail Addition Phase 2 July 2000



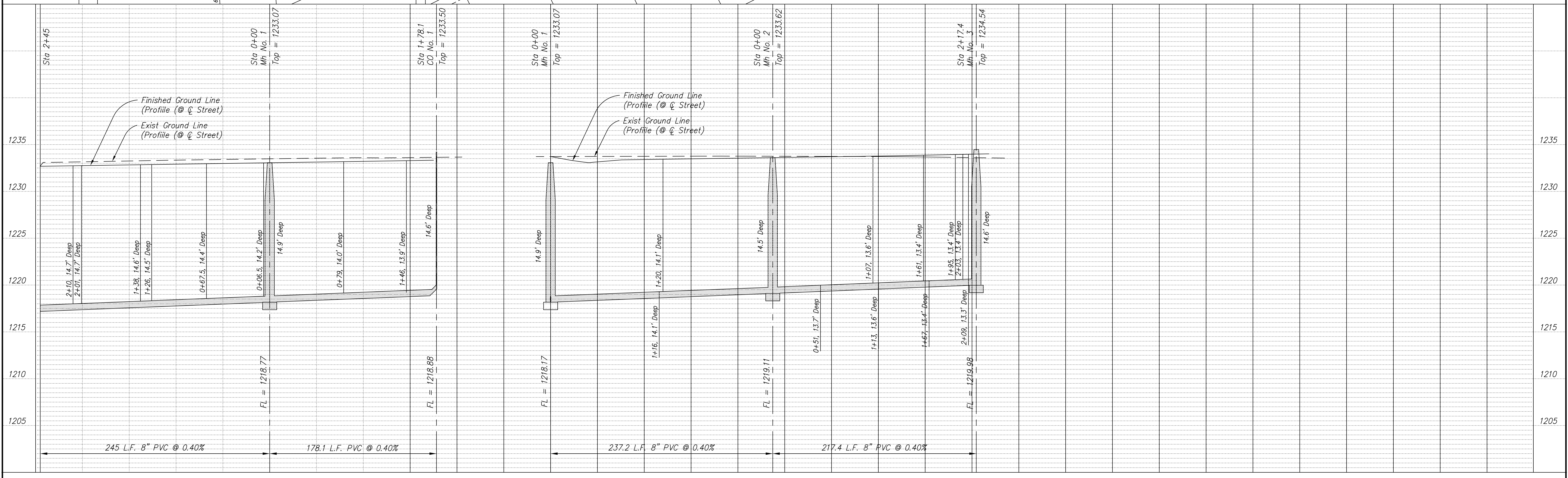
USGS BM: RM27
Disc stamped "B 292 1952", top conc center post powerline tower at intersection of Magnolia Rd & Belmont Blvd 143' south of Magnolia rd and west of west rail.
Elev = 1238.734

BM #1: Chiseled "x" SE cor conc well Diversion Structure
Elev = 1245.67

NOTE: All Sanitary Sewer mains are 8" unless noted otherwise.

NOTE: Distance from back of curb to property line is based on the street being built in the center of the right-of-way.

NOTE: All Streets are 33' back to back of curb Right-of-Ways are 60' unless noted otherwise.



| | | | | | | | | | | | | | | | | | | | | | | | | | | |
|---------------------------------|--|--|---------------------|--|--|---|--|--|---------|--|--|----------|--|--|------------------------|--|--|-----------------------------------|--|--|------------|--|--|------------|--|--|
| PROJECT TITLE | | | CONSTRUCTED BY: | | | SCALE: | | | DESIGN: | | | CHECKED: | | | CITY OF SALINA | | | DATE: | | | PROJ. NO.: | | | | | |
| Sanitary Sewer As-Built Drawing | | | Stevens Contractors | | | Plan: 1" = 50' Profile: Horiz. 1" = 50' Vert. 1" = 5' | | | KWD | | | KWD | | | ENGINEERING DEPARTMENT | | | Jan 2001 | | | KWD | | | | | |
| NO. REVISIONS | | | DATE BY | | | NO. REVISIONS | | | DATE BY | | | DRAWN: | | | APPROVED: | | | 300 WEST ASH SALINA, KANSAS 67401 | | | FILENAME: | | | SHEET: OF: | | |
| | | | | | | | | | | | | KWD | | | | | | (913)826-7290 | | | 621r13.dwg | | | | | |